

## Refrigeration Equipment 2-Solid Door Back Bar Cooler Stainless Steel 49" Long

ITEM # \_\_\_\_\_

MODEL # \_\_\_\_\_

NAME # \_\_\_\_\_

SIS # \_\_\_\_\_

AIA # \_\_\_\_\_



738305 (KCHBB48SS)

2-Solid Door Back Bar Cooler  
Stainless Steel 49" Long

### Short Form Specification

**Item No.** \_\_\_\_\_

2-door Back bar refrigerator. Exterior back and bottom panels in galvanized steel, top panel in 304 stainless steel and exterior side panels in 430 stainless steel; interior back, side, and top panels in 430 stainless steel, interior bottom panel and worktop in 304 stainless steel. Fin & tube condenser to improve the performances in high temperature environments. Automatic Defrost Cooling System and temperature control. Heavy duty adjustable shelves and stay-open self-closing doors.

R290 gas in refrigeration circuit.  
ETL Safety and Sanitation certified.  
3/5 Years warranty.

### Main Features

- External digital temperature display.
- Fin & Tube Condenser improves performance in high temperature environments.
- Automatic Defrost Cooling System provides worry-free performance.
- Locking doors protect the contents of the unit
- Heavy duty Vinyl coated steel shelves.
- Adjustable shelves for flexible storage
- Cabinet completely insulated with high density polyurethane for low environmental impact.
- Shallow depth body, for narrow footprint
- Removable rubber bumper guards for airflow spacing and shock absorption
- Cabinet capable of accepting 294 standard 12-ounce long-neck bottles
- Cabinet capable of accepting 504 standard 12-ounce beverage cans

### Construction

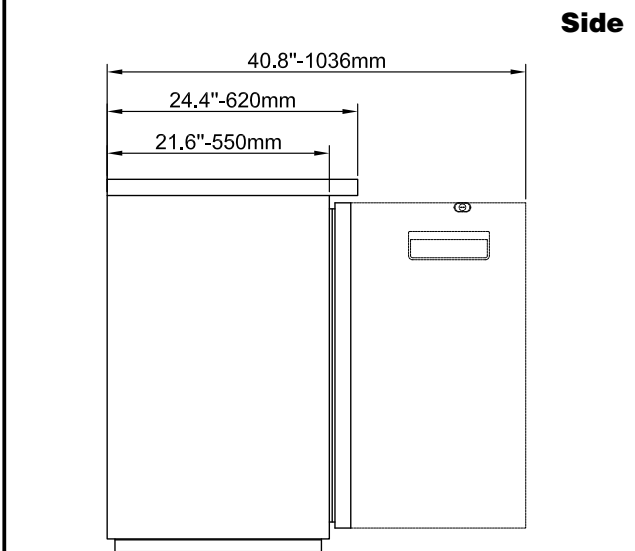
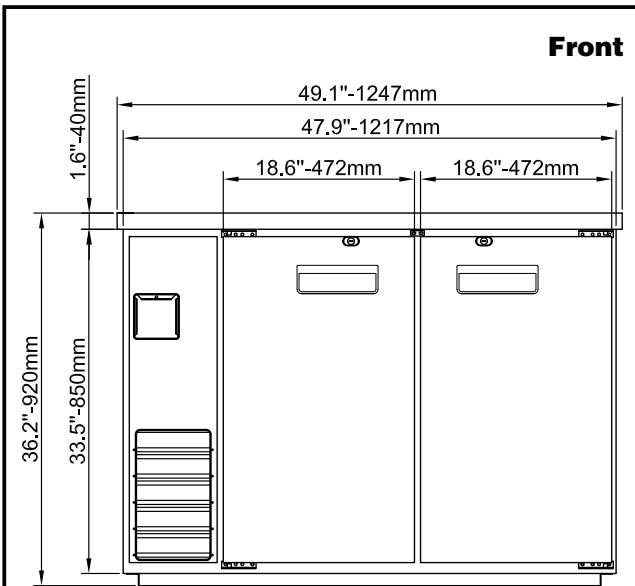
- Stainless steel interior and exterior, durable and easy to clean for daily commercial use.
- Lockable door.
- Self-closing door with 90-degree stay-open feature.
- Pre-wired heavy duty power cord.
- Heavy duty door hinges.
- Magnetic gasket removable without tools for easy cleaning.
- Stainless steel worktop, durable functionality
- Caster-ready base allows installation of heavy-duty casters for durable support and easy repositioning.

### Sustainability

- CFC and HCFC free, highly ecological refrigerant type: R290 (ecological gas in foam: cyclopentane). Hydrocarbon refrigerant gas R290 for the lowest environmental impact (GWP=3), to reduce green house and ozone depletion effects.
- High efficiency components to minimize the energy consumption still guaranteeing the highest performances.
- Hydrocarbon refrigerant gas R290 for the lowest environmental impact (GWP=3) - CFC and HCFC free.
- 40 mm insulation for energy saving

### Optional Accessories

APPROVAL: \_\_\_\_\_



EI = Electrical connection

### Electric

Supply voltage:	115 V/1 ph/60 Hz
Electrical power, max:	0.31 kW
Plug type:	USA NEMA 5-15P

### Capacity:

Gross capacity:	12.5 cu.feet
-----------------	--------------

### Key Information:

Number and type of grids (included):	4 - Vinyl-Coated Steel
Warranty:	3 / 5 years
Door hinges:	1 Left+1 Right
Capacity:	12.5 cu.ft.
External dimensions, Width:	49 1/16" (1247 mm)
External dimensions, Depth:	24 7/16" (620 mm)
External dimensions, Height:	36 1/4" (920 mm)
Number and type of doors:	2 Full
Internal Dimensions (depth):	20 " / (508 mm)
Internal Dimensions (height):	28 " / (711.2 mm)
Internal Dimensions (width):	36 " / (914.4 mm)
Shipping height:	41 5/16" (1050 mm)
Shipping weight:	260 lbs (118 kg)
Shipping volume:	32.45 ft <sup>3</sup> (0.92 m <sup>3</sup> )
Type of external material:	Stainless Steel
Type of internal material:	Stainless Steel
Approvals	ETL C&US;ETL SANITATION

### Refrigeration Data

Condenser type:	Fin & tube
Operating temperature min.:	32 °F
Compressor power:	1/5 hp
Operating temperature max.:	41 °F
Defrost type:	Auto Defrost

### Sustainability

Current consumption:	3 Amps
Refrigerant type:	R290
Refrigerant weight:	110 g

